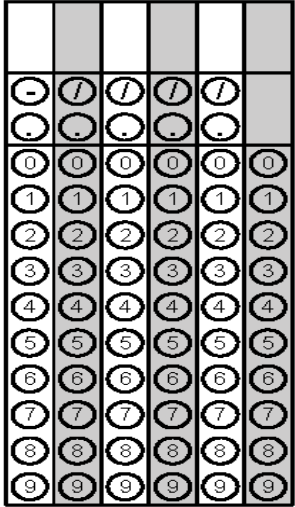
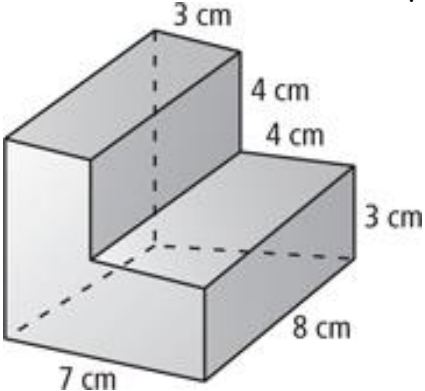


| | | | |
|---------------|--|---|--|
| Monday | Round the following to the nearest tenth: a) $58.629 =$ _____ b) $3.25 =$ _____ c) $8.3498 =$ _____ | Convert the following to improper fractions: a) $3\frac{5}{12} =$ _____ b) $5\frac{2}{5} =$ _____ c) $2\frac{3}{15} =$ _____ | Problem 2C  |
|---------------|--|---|--|

| | | |
|----------------|---|--|
| Tuesday | Mrs. Rice kept track of the amount of students that completed their homework last night. Which class had the highest completion rate? Order the classes from least to greatest. 1 st Core: 19/25 2 nd Core: 0.75 3 rd Core: 82% 4 th Core: 23/50 _____ | Mr. Garcia's class earned a pizza party for selling the most fundraising in the school. His class has 30 students. If pizzas have 8 slices each and each student will eat 2 pieces of pizza, how many pizzas should he order? _____ |
|----------------|---|--|

| | | |
|------------------|---|---|
| Wednesday | Find the volume of this shape: _____  | Katie's cell phone bill is automatically deducting \$49 from her bank account every month. As an integer, how much will the deductions total for the year? _____ |
|------------------|---|---|

| | | | | | | | | | | | | | | | | | | | | | | | | | | | | | | | | | | | | | | | | | | | | | | | | | | | | | | | | | | | | | | | | | | | | | | | | | | | | | | | | | |
|-----------------|---|---|--|---|---|--|--|--|--|---|---|---|---|---|--|---|---|---|---|---|--|---|---|---|---|---|---|---|---|---|---|---|---|---|---|---|---|---|---|---|---|---|---|---|---|---|---|---|---|---|---|---|---|---|---|---|---|---|---|---|---|---|---|---|---|---|---|---|---|---|---|---|---|---|---|---|---|---|---|---|---|
| Thursday | Jake wants to buy a pair of pants that cost \$35.95, a package of 6 pairs of socks for \$12.99, a shirt for \$45.95, and a tie for \$19.99. If he has \$150, how much change will he get from the cashier? _____ | We want to buy some material for a costume for Halloween. If the fabric we want to buy costs \$1.55 per yard and we need 2.75 yards, and we only have \$5.00, do we have enough money to buy the fabric? _____ | <p>Problem 1</p> <table border="1" style="margin: auto; border-collapse: collapse; text-align: center;"> <tr> <td style="width: 20px; height: 20px;"></td> <td style="width: 20px; height: 20px; background-color: #cccccc;"></td> <td style="width: 20px; height: 20px;"></td> <td style="width: 20px; height: 20px; background-color: #cccccc;"></td> <td style="width: 20px; height: 20px;"></td> <td style="width: 20px; height: 20px; background-color: #cccccc;"></td> </tr> <tr> <td>⊖</td><td>/</td><td>/</td><td>/</td><td>/</td><td></td> </tr> <tr> <td>.</td><td>.</td><td>.</td><td>.</td><td>.</td><td></td> </tr> <tr> <td>0</td><td>0</td><td>0</td><td>0</td><td>0</td><td>0</td> </tr> <tr> <td>1</td><td>1</td><td>1</td><td>1</td><td>1</td><td>1</td> </tr> <tr> <td>2</td><td>2</td><td>2</td><td>2</td><td>2</td><td>2</td> </tr> <tr> <td>3</td><td>3</td><td>3</td><td>3</td><td>3</td><td>3</td> </tr> <tr> <td>4</td><td>4</td><td>4</td><td>4</td><td>4</td><td>4</td> </tr> <tr> <td>5</td><td>5</td><td>5</td><td>5</td><td>5</td><td>5</td> </tr> <tr> <td>6</td><td>6</td><td>6</td><td>6</td><td>6</td><td>6</td> </tr> <tr> <td>7</td><td>7</td><td>7</td><td>7</td><td>7</td><td>7</td> </tr> <tr> <td>8</td><td>8</td><td>8</td><td>8</td><td>8</td><td>8</td> </tr> <tr> <td>9</td><td>9</td><td>9</td><td>9</td><td>9</td><td>9</td> </tr> </table> | | | | | | | ⊖ | / | / | / | / | | . | . | . | . | . | | 0 | 0 | 0 | 0 | 0 | 0 | 1 | 1 | 1 | 1 | 1 | 1 | 2 | 2 | 2 | 2 | 2 | 2 | 3 | 3 | 3 | 3 | 3 | 3 | 4 | 4 | 4 | 4 | 4 | 4 | 5 | 5 | 5 | 5 | 5 | 5 | 6 | 6 | 6 | 6 | 6 | 6 | 7 | 7 | 7 | 7 | 7 | 7 | 8 | 8 | 8 | 8 | 8 | 8 | 9 | 9 | 9 | 9 | 9 | 9 |
| | | | | | | | | | | | | | | | | | | | | | | | | | | | | | | | | | | | | | | | | | | | | | | | | | | | | | | | | | | | | | | | | | | | | | | | | | | | | | | | | | |
| ⊖ | / | / | / | / | | | | | | | | | | | | | | | | | | | | | | | | | | | | | | | | | | | | | | | | | | | | | | | | | | | | | | | | | | | | | | | | | | | | | | | | | | | | | |
| . | . | . | . | . | | | | | | | | | | | | | | | | | | | | | | | | | | | | | | | | | | | | | | | | | | | | | | | | | | | | | | | | | | | | | | | | | | | | | | | | | | | | | |
| 0 | 0 | 0 | 0 | 0 | 0 | | | | | | | | | | | | | | | | | | | | | | | | | | | | | | | | | | | | | | | | | | | | | | | | | | | | | | | | | | | | | | | | | | | | | | | | | | | | |
| 1 | 1 | 1 | 1 | 1 | 1 | | | | | | | | | | | | | | | | | | | | | | | | | | | | | | | | | | | | | | | | | | | | | | | | | | | | | | | | | | | | | | | | | | | | | | | | | | | | |
| 2 | 2 | 2 | 2 | 2 | 2 | | | | | | | | | | | | | | | | | | | | | | | | | | | | | | | | | | | | | | | | | | | | | | | | | | | | | | | | | | | | | | | | | | | | | | | | | | | | |
| 3 | 3 | 3 | 3 | 3 | 3 | | | | | | | | | | | | | | | | | | | | | | | | | | | | | | | | | | | | | | | | | | | | | | | | | | | | | | | | | | | | | | | | | | | | | | | | | | | | |
| 4 | 4 | 4 | 4 | 4 | 4 | | | | | | | | | | | | | | | | | | | | | | | | | | | | | | | | | | | | | | | | | | | | | | | | | | | | | | | | | | | | | | | | | | | | | | | | | | | | |
| 5 | 5 | 5 | 5 | 5 | 5 | | | | | | | | | | | | | | | | | | | | | | | | | | | | | | | | | | | | | | | | | | | | | | | | | | | | | | | | | | | | | | | | | | | | | | | | | | | | |
| 6 | 6 | 6 | 6 | 6 | 6 | | | | | | | | | | | | | | | | | | | | | | | | | | | | | | | | | | | | | | | | | | | | | | | | | | | | | | | | | | | | | | | | | | | | | | | | | | | | |
| 7 | 7 | 7 | 7 | 7 | 7 | | | | | | | | | | | | | | | | | | | | | | | | | | | | | | | | | | | | | | | | | | | | | | | | | | | | | | | | | | | | | | | | | | | | | | | | | | | | |
| 8 | 8 | 8 | 8 | 8 | 8 | | | | | | | | | | | | | | | | | | | | | | | | | | | | | | | | | | | | | | | | | | | | | | | | | | | | | | | | | | | | | | | | | | | | | | | | | | | | |
| 9 | 9 | 9 | 9 | 9 | 9 | | | | | | | | | | | | | | | | | | | | | | | | | | | | | | | | | | | | | | | | | | | | | | | | | | | | | | | | | | | | | | | | | | | | | | | | | | | | |

| | | |
|---------------|---|--|
| Friday | Maria makes \$8.25 an hour working at the local fast food restaurant. What will her gross pay be for the week if she works 9.5 hours? If she wants to buy a stereo for \$75.00. Circle if she: owes money (negative) has extra money (positive) | Solve. a) $\frac{1}{3} - \frac{5}{6} =$ _____ b) $3\frac{1}{2} + (-\frac{5}{7}) =$ _____ |
|---------------|---|--|